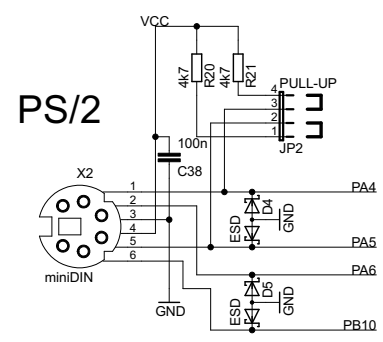
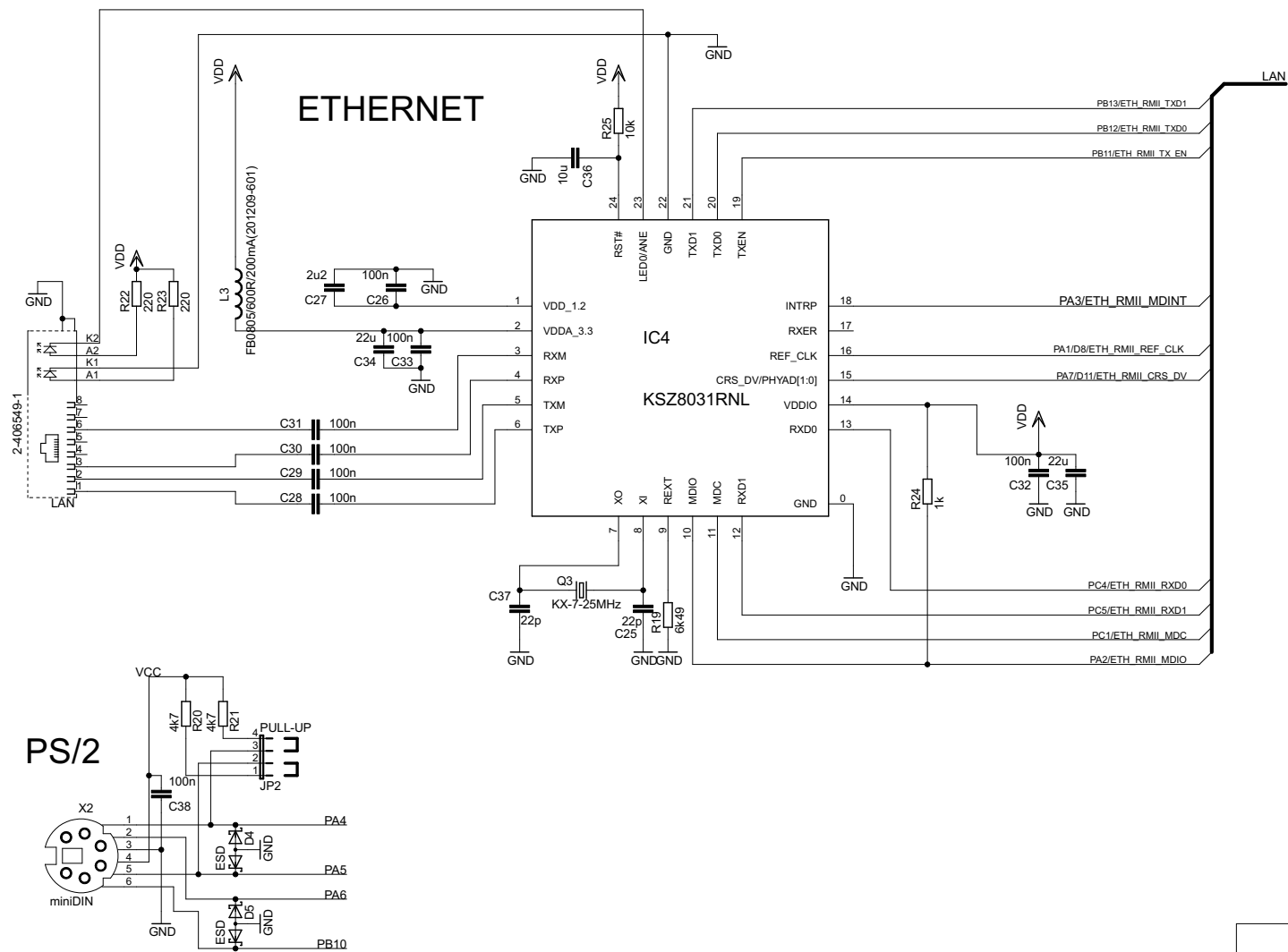


TITLE: MZUNImk3\_v0.2

Document Number: \_\_\_\_\_ REV: \_\_\_\_\_

Date: 12.12.2012 19:08:04 Sheet: 1/2



TITLE: MZUNImk3_v0.2	
Document Number:	REV:
Date: 12.12.2012 19:08:04	Sheet: 2/2